

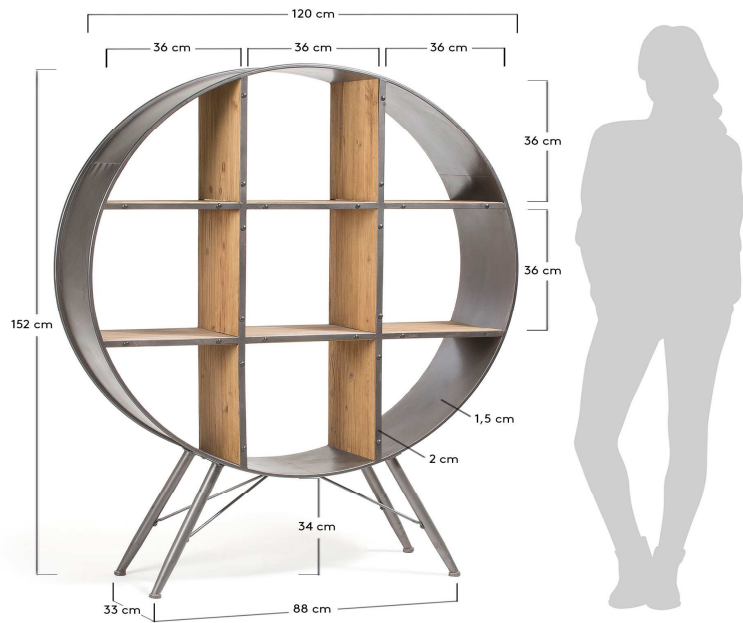


HELIA

product code	AA0688M01
product description	HELIA Shelf in wood and metal Round shelf with metal structure and natural wooden shelves.

product sizes					
height x width x depth (cm)	152	x	120	x	33
product weight (Kg)	27,4				

technical drawings



product features	
use (domestic/office)	Domestic
appliance (inner/outer)	Inner
number of doors	
number of drawers	
fittings description	Screws
max. load (Kg)	35
material	Steel and fir wood (Cunninghamia Lanceolata)
finishing	Painted steel and water painting fir

legs material	Steel
legs finishing	Painted
feet protection (yes/no)	Yes
adjustable feet (yes/no)	No

RAL Specifications	No
size and shape variation (yes/no)	Yes
color variation (yes/no)	No
other details	

general warnings	Do not place near direct sources of heat. Keep away from direct solar light. Do not use abrasive products like acetones, bleaches, solvents, etc.
------------------	---

specific use and care instructions	Clean with a damp cloth and dry immediately
------------------------------------	---

years of guarantee made according to	2
--------------------------------------	---

good to know	Wood origin country: China
--------------	----------------------------

assembly

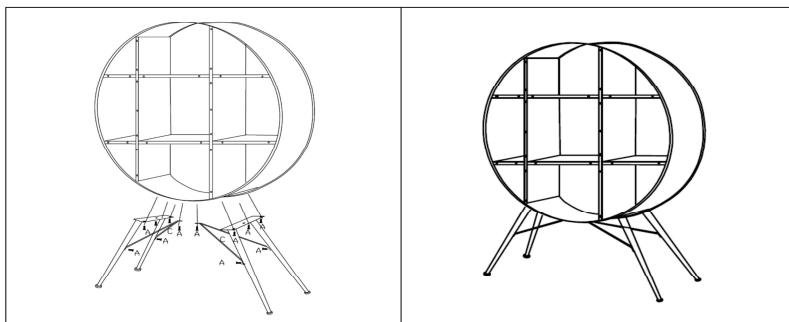
assembly required (yes/no)	Yes
difficulty of assembly (hard/medium/easy)	Easy
assembly time (min)	10
people required	1
assembly suggestions	

assembly instructions

AA0688



 x2 10 min x1	 6X16MM A X12PCS	 B X1PCS	 C X2PCS	
------------------------	------------------------	-------------	-------------	--



This product is property of Julia Grup Furniture Solutions S.L. (®-17616277) · Pol. Ind. Bosc d'en Cuca · C/Tallers, 14 · 17410 Sils · SPAIN

packaging

units per lot	1				
cbm (m3) / gross weight (Kg)	0,594	/	35,2		
n° of boxes	1				
box 1	1				
description	HELIA Shelf in wood and metal				
description box	FULL ITEM				
height x width x depth (cm)	38	x	125	x	125
cbm (m3) / gross weight (Kg) / net weight (Kg)	0,594	/	35,2	/	27,4
box 2					
description					
description box					
height x width x depth (cm)		x		x	
cbm (m3) / gross weight (Kg) / net weight (Kg)		/		/	
box 3					
description					
description box					
height x width x depth (cm)		x		x	
cbm (m3) / gross weight (Kg) / net weight (Kg)		/		/	
box 4					
description					
description box					
height x width x depth (cm)		x		x	
cbm (m3) / gross weight (Kg) / net weight (Kg)		/		/	
box 5					
description					
description box					
height x width x depth (cm)		x		x	
cbm (m3) / gross weight (Kg) / net weight (Kg)		/		/	